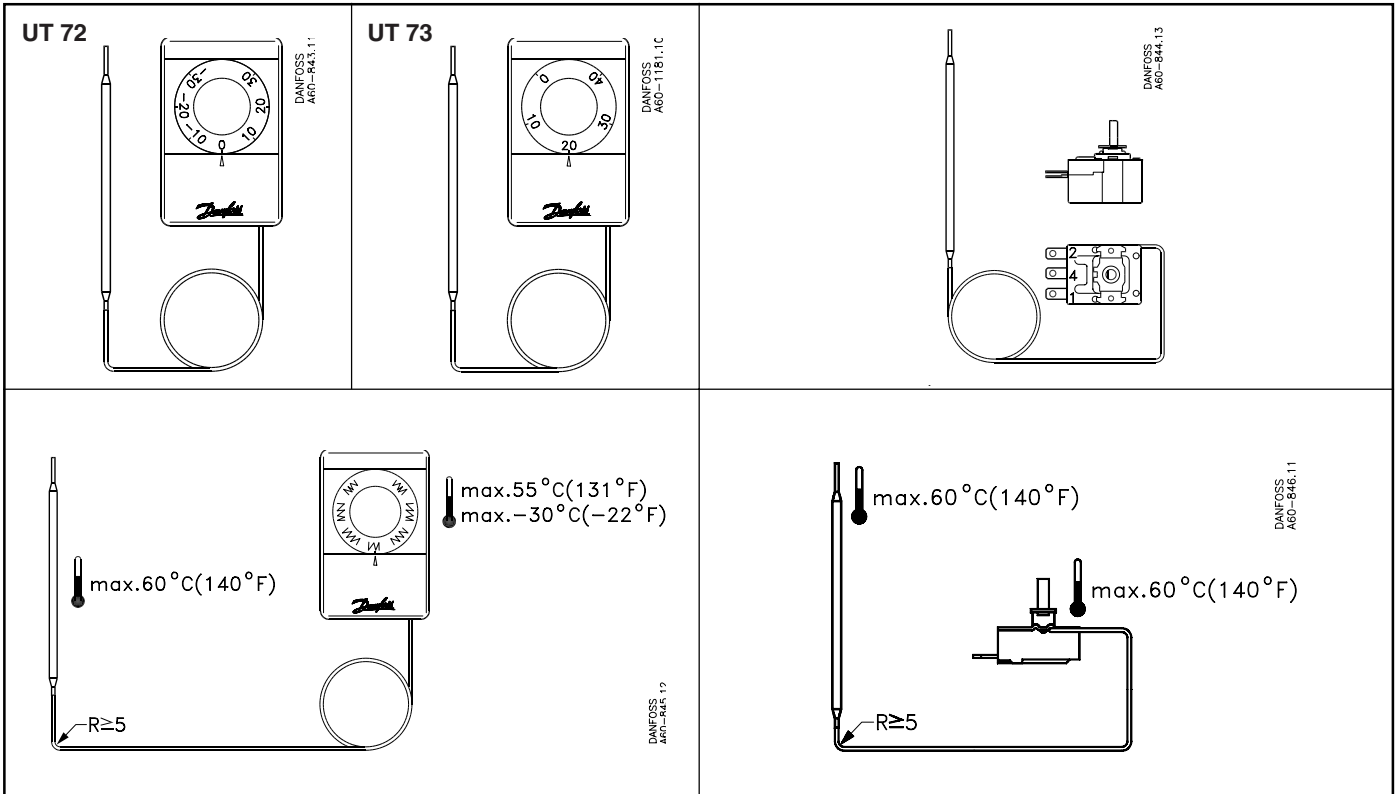


060R9735

060R9735



© Danfoss A/S

RI-05-M2.00 → RI.5H.A1.00 11-1998

